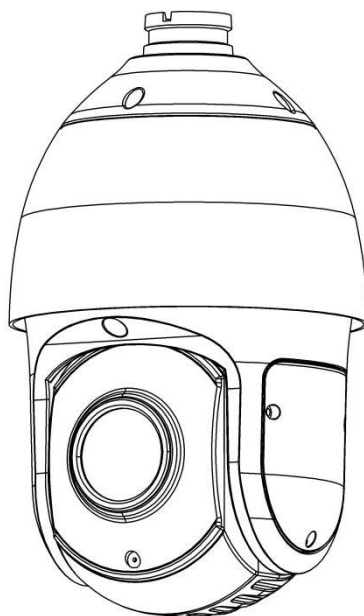


8MP 36X Starlight Intelligent Network PTZ Camera P636-4K



Features

- Wise-ISP image processing engine, intelligent noise reduction, stunning visual effects in low-light conditions
- Smart intrusion prevention (SIP): supports cross line detection, enter area, leave area, and intrusion detection, detects and captures different types of targets including motor vehicles, non-motor vehicles, pedestrians, and raises alarms
- People counting: supports people flow counting and crowd density monitoring, applicable to various scenarios
- automatic selection of best snapshots, supports face detection masked area
- supports front-end , supports blacklist and allowlist comparison
- 120 dB true WDR meets the image requirements in high-contrast scene
- Heatwave reduction effectively mitigates heatwave effect in high-temperature outdoor environment and ensures clear images
- Adaptive highlight compensation (HLC) automatically adjusts image brightness at night when moving vehicles are detected on the road
- Advanced H.265 and SVC video compression technologies, higher compression efficiency, flexible application
- ROI (region of interest) ensures image quality in areas of interest with low bandwidth
- Supports picture overlay and custom OSD, provides various custom effects (size, color, background, style)
- Supports ONVIF and LiteAPI, offering strong compatibility

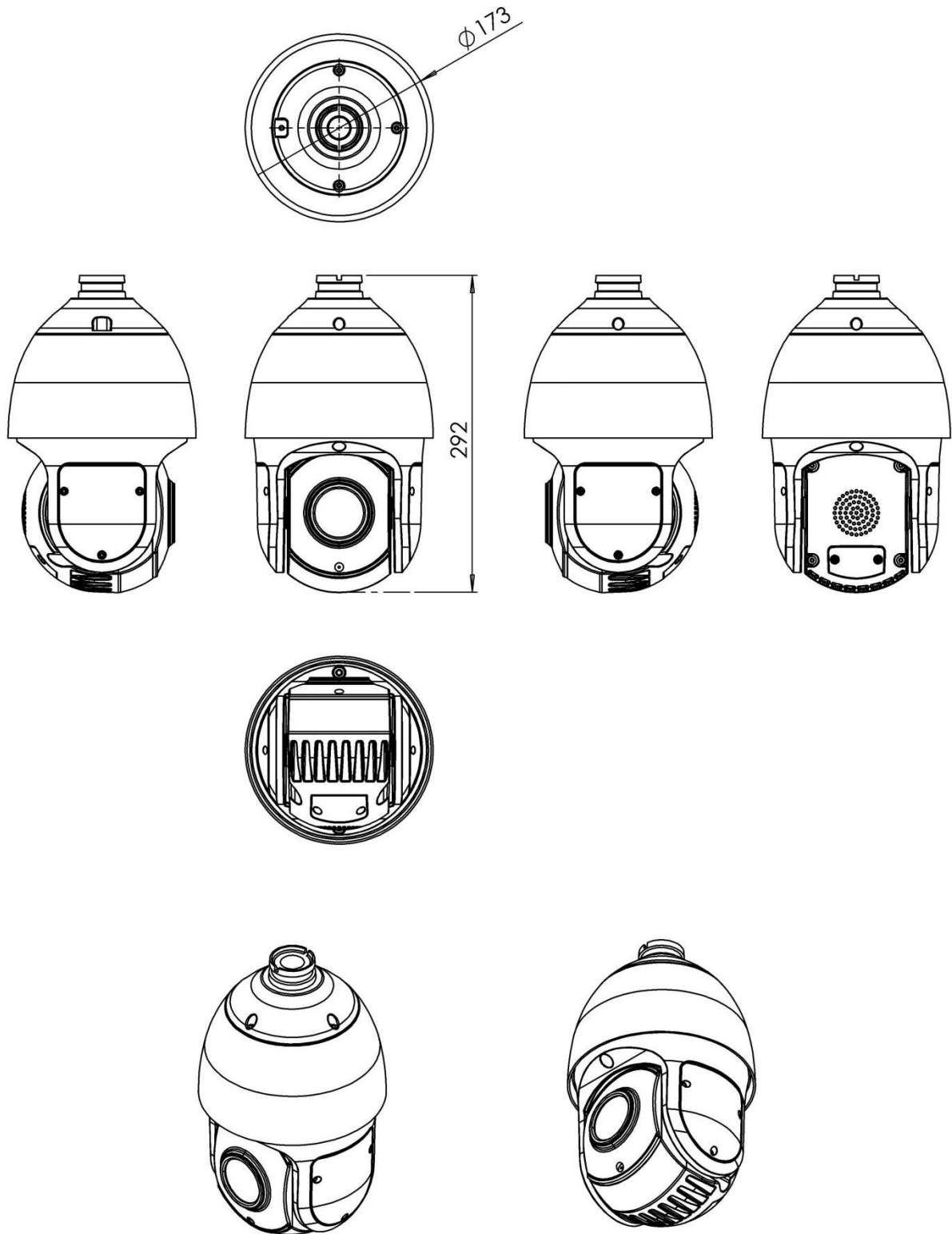
specifications

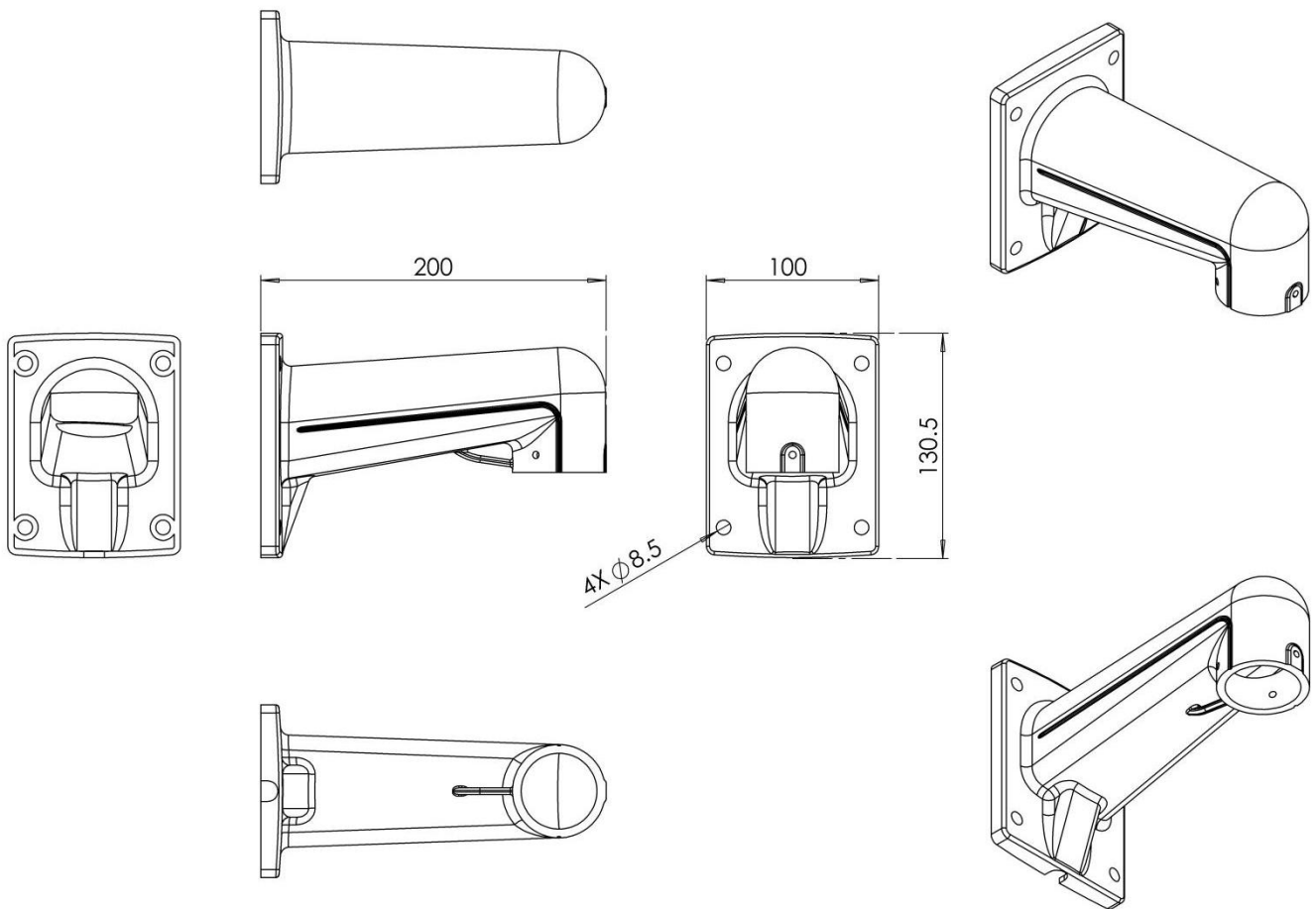
Model	P636
Camera	
Max Resolution	8 MP
Sensor	1/2.8" CMOS
Day/Night	IR-cut filter with auto switch (ICR)
Shutter	Auto/Manual, 1 to 1/100000 s
WDR	120 dB
S/N	> 56 dB
Min. Illumination	Color: 0.0005 Lux (F1.5, AGC ON), 0 Lux with IR
Case Type	Cube
Lens	
Focal Length	4.5 to 162 mm
Digital Zoom	8X
Optical Zoom	36X
Iris	F1.5 to F4.0
DORI	
DORI Distance (Lens)	4.5 to 162 mm
DORI Distance (Detect)	105.8 m to 3172.5 m (346.9 ft. to 10408.5 ft.)
DORI Distance (Observe)	42.3 m to 1269.0m (138.8 ft. to 4163.4 ft.)
DORI Distance (Recognize)	21.2 m to 634.5 m (69.4 ft. to 2081.7 ft.)
DORI Distance (Identify)	10.6 m to 317.3 m (34.8 ft. to 1040.8 ft.)
Video	
Video Compression	H.265, H.264, MJPEG, Ultra 265
Frame Rate	Main Stream Max: 8 MP (3840*2160), 30 fps Main Stream Default: 8 MP (3840*2160), 30 fps Sub Stream Max: 1080P (1920 × 1080), 60 fps Third Stream Max: D1 (720 × 576), 60 fps
Video Bit Rate	128 Kbps to 16 Mbps
U-code	Support
Privacy Mask	24 areas, up to 8 areas per scene
ROI	Up to 8 areas
Video Stream	Triple streams
OSD	Up to 10 OSDs
Frame Rate Recommendation	2688 × 1520@60 fps + 1080P@60 fps + D1@30 fps 2688 × 1520@60 fps + 720P@60 fps + D1@60 fps + D1@60 fps + D1@60 fps 2560 × 1440@30 fps + 1080P@60 fps + D1@60 fps 1080P@60 fps + 1080P@60 fps + D1@60fp + D1@60fp + D1@60fp
Events	
Basic Detection	Motion detection, Ultra motion detection, Tampering alarm, Audio detection, Object removed, Object Left Behind

Audio Detection	Support
General Function	Watermark, IP address filtering, Access policy, ARP protection, RTSP authentication, User authentication, Alarm input, Alarm output, HTTP authentication
Audio	
Audio Compression	G.711U, G.711A, AAC
Built-in Speaker	Support
Built-in MIC	Support
Sampling Rate	8 kHz, 16 kHz
Storage	
Edge Storage	MicroSD, up to 512 GB
Network Storage	NAS (NFS), ANR
Network	
User/Host	Up to 32 users. 3 user levels: administrator, common user and operator
Protocols	SSH, IGMP, RTP, RTMP, RTCP, IPv4, SSL/TLS, QoS, 802.1x, HTTPS, HTTP, UPnP, NTP, DDNS, DNS, RTSP, DHCP, UDP, TCP, ARP, ICMP, IPv6, SMTP, PPPoE, SNMP
Compatible Integration	SDK, API, ONVIF (Profile S, Profile G, Profile T, Profile M)
Security	Password Protection, Strong Password, HTTPS Encryption, Export Operation Logs, Basic and Digest Authentication for RTSP, Digest Authentication for HTTP, TLS 1.2, WSSE and Digest Authentication for ONVIF, TLS 1.3
Client	EZStation, UNV-Link, UNV-Link Pro
Web Browser	Plug-in required live view: IE 10+, Chrome 45+, Firefox 52+, Edge 79+, Plug-in free live view: Chrome 57+, Firefox 58+, Edge 16+
3rd party NVR/Client	Blue Iris, Security Spy, Milestone, Geovision, Synology, QNAP
PTZ	
Route Patrol	16 patrols, up to 32 actions for each patrol
Preset Patrol	16 patrols, up to 64 presets for each patrol
Patrol Stay Time	1 s to 1800 s
Preset Image Freeze	N/A
Home Position	Support
3D Positioning	Support
Number of Patrol	16
Number of Presets	1024
Pan Range	Pan Range 360° (endless)
Tilt Range	-5° to + 90°
Pan Speed	0.1°/s to 120°/s
Tilt Speed	0.1°/s to 120°/s.
Illuminator	
IR On/Off Control	Auto/Manual
Illumination Distance (IR)	Up to 457m(1500ft)
Image	
White Balance	Auto, Outdoor, Fine tune, Sodium lamp, Locked, Auto2, Area white balance
Digital Noise Reduction	2D/3D DNR
Flip	Normal, Flip vertical, Flip horizontal, 180°
HLC	Support


Defog	Digital defog
Low Illumination Characteristics	ColorHunter with Wise-ISP
Heatwave Reduction	Support
Image Stabilization	EIS (Gyroscope)
Interface	
Alarm I/O	Support
Serial Port	1 × RS485
Network	1 × RJ45 10 M/100 M Base-TX Ethernet
Intelligent	
People Counting	Support people flow counting and crowd density detection
Exception Detection	Object removed, Object Left Behind
Auto Tracking	Support
Multi-target Detection	N/A
Smart Intrusion Prevention	Cross line detection, intrusion detection, enter area detection, leave area detection (support false alarm filtering and the classification of human, non-motor vehicle and vehicle)
General	
Power	DC12V, PoE+(IEEE 802.3at), PoE++(IEEE 802.3bt)
Power Consumption	Max. 24W
Dimensions	Ø173 mm × 292 mm (Ø6.81" × 11.5") (Ø × H)
Weight	4.25kg (9.37lb)
Working Environment	-20°C to 60°C (-4°F to 140°F), Humidity: ≤ 95% RH (non-condensing)
Surge Protection	4 KV
Ingress protection	IP66
Case Type	PT(Aluminium)
Web Client Language	22 Languages: Traditional Chinese, English, Simplified Chinese, Polish, German, Russian, French, Korean, Dutch, Czech, Portuguese (Europe), Portuguese (Brazil), Japanese, Thai, Turkish, Spanish (Latin America), Spanish (Europe), Hungarian, Italian, Vietnamese, Arabic, Slovak
Live View	
Plugin Free	Support
OSD Color	Support
Maximum Bitstream	35
OSD Character Number	40
3D Privacy Mask	Support

Dimensions (mm)





Hangzhou Sunba Technologies Co., Ltd.

 <http://www.sunbatech.com>

 support@sunbatech.com; support@sunba.net

©2025-2026 Hangzhou Sunba Technologies Co., Ltd. All rights reserved.

*Product specifications and availability are subject to change without notice.

*Despite our best efforts, technical or typographical errors may exist in this document.

Sunba cannot be held responsible for any such errors and reserves the right to change the contents of this document without prior notice.



SUNBA Tech