

## 8MP 48X Super Starlight Network PTZ Camera T96



### Features

#### Smart

- Face detection: Supports face and human body capture and metadata collection, and allows to match the corresponding face and human body. Supports three face selection modes, including effect priority, speed priority, and periodic selection. Supports face filtering by angle. Supports camera-side up to 16 face libraries and 100000 faces.
- Multi-target detection: Supports motor vehicle, non-motor vehicle, pedestrian, and metadata collection by object type.
- People counting: Supports people flow counting and crowd density monitoring, applicable to various scenarios.
- Smart intrusion protection: Supports cross line detection, enter area, leave area, and intrusion detection. Supports motor vehicle, non-motor vehicle, and pedestrian capture and alarm.
- Auto tracking: Allows to track motor vehicle, non-motor vehicle, and pedestrian, and then return to the initial position after the preset tracking time.

#### Optics

- Super starlight low illumination enables clear image at night.
- 48X optical zoom with the developed focus algorithm, fast and accurate.
- 128dB WDR meets monitoring requirements in high-contrast scenes.
- Adaptive highlight compensation allows to automatically adjust image brightness to capture license plates in roads.
- Automatic optical defog allows to automatically adjust the defog level based on the foggy and hazy condition.
- Gyroscope stabilization enables clear image by effectively reducing image blur due to device shaking.
- Heatwave reduction delivers clear image in hot weather.
- Automatic day/night mode switch (ICR).

#### Compression

- Supports 3840\*2160@30fps, 2688\*1520@60fps, delivering smooth video.
- Triple video stream provides live video and storage streams at different frame rates to meet different bandwidth and storage requirements.
- ROI improves image quality of specified areas in low broadband network environment.
- Advanced H.265 and SVC algorithms ensure higher encoding efficiency and flexible application.

**Network**

- Network auto-adaptability ensures smooth live video when packet loss occurs.
- Supports ONVIF, with strong compatibility.

**PTZ**

- Support Pan&Tilt self-locking.

**Illuminator**

- Laser IR, Night Vision Up to 800m(2625ft).

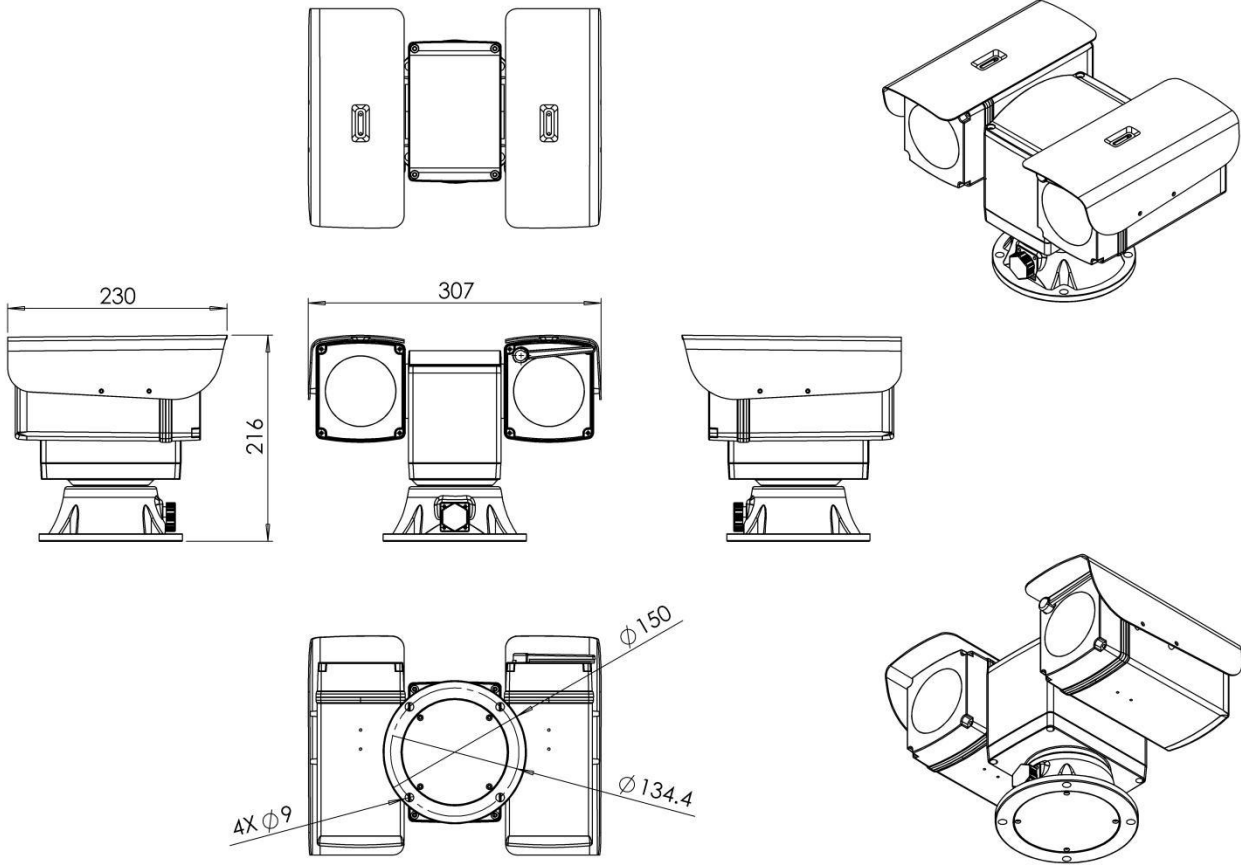
## specifications

Model	T96
<b>Camera</b>	
Max Resolution	8 MP
Sensor	1/1.8" CMOS
Min. Illumination	0.0003 Lux (F1.2, AGC ON, colour) 0.0001 Lux (F1.2, AGC ON, black and white)
Day/Night	IR-cut filter with auto switch (ICR)
Shutter	Auto/Manual, 1 to 1/100000 s
WDR	120 dB
S/N	> 56 dB
<b>Lens</b>	
Focal Length	5 to 240mm
Digital Zoom	16X
Optical Zoom	48X
Iris	F1.2 to F4.6
Field of View (H)	59.47° (W) ~ 2.20° (T)
Field of View (V)	35.62° (W) ~ 1.24° (T)
Iris Type	P-iris
<b>DORI</b>	
DORI Distance (Lens)	5 to 240mm
DORI Distance (Detect)	107.2 m to 3330 m (351.7 ft. to 10925.2 ft)
DORI Distance (Observe)	42 m to 1332 m (140 ft. to 4370 ft)
DORI Distance (Recognize)	21.0 m to 666 m (68.9 ft. to 2185.0 ft)
DORI Distance (Identify)	10.0 m to 333.0 m (32.8 ft. to 1092.5 ft)
<b>Video</b>	
Privacy Mask	24 areas, up to 8 areas per scene
Video Compression	Ultra 265, H.265, H.264, MJPEG
Frame Rate	Up to 60@fps
Video Bit Rate	128 Kbps to 16 Mbps
ROI	Support
Video Stream	Triple streams
OSD	Up to 8 OSDs
<b>Image</b>	
Defog	Optical defog

White Balance	Auto, Outdoor, Fine tune, Sodium lamp, Locked, Auto2, Area white balance
Low Illumination Characteristics	Low-light
Digital Noise Reduction	2D/3D DNR
Flip	Normal, Flip vertical, Flip horizontal, 180°
Heatwave Reduction	Support
<b>Intelligent</b>	
Auto Tracking	Support, target filtering: human, non-motor vehicle and vehicle
Smart Intrusion Prevention	Cross line detection, intrusion detection, enter area detection, leave area detection (support false alarm filtering and the classification of human, non-motor vehicle and vehicle)
Multi-target Detection	Support
People Counting	Support people flow counting and crowd density monitoring
<b>PTZ</b>	
Preset Image Freeze	Support
Number of Presets	1024
Preset Patrol	16 patrols, up to 64 presets for each patrol
Patrol Stay Time	15 s to 1800 s
Home Position	Support
3D Positioning	Support
Number of Patrol	16
Pan Range	Pan Range 360° (endless)
Tilt Range	-90° to + 90°
Pan Speed	0.1°/s to 60°/s
Tilt Speed	0.1°/s to 60°/s.
<b>Illuminator</b>	
IR On/Off Control	Auto/Manual
Type	CW Laser IR(850nm)
Illumination Distance (IR)	Up to 800m(2625ft)
Beam angle	2° to 52°
<b>Events</b>	
Basic Detection	Motion detection, Ultra motion detection, Tampering alarm, Audio detection
General Function	Watermark, IP address filtering, Access policy, ARP protection, RTSP authentication, User authentication, Alarm input, Alarm output
Motion Detection	Support
Tampering Detection	Support
Audio Detection	Support
UMD (Ultra Motion Detection)	Support
<b>Network</b>	
User/Host	Up to 32 users. 3 user levels: administrator, common user and operator
Protocols	IGMP, SMTP, IPv6, ICMP, ARP, TCP, UDP, DHCP, PPPoE, RTSP, DNS, DDNS, NTP, UPnP, HTTP, 802.1x, SNMP, QoS, SSL/TLS, SSH, RTP, IPv4, RTCP, RTMP, HTTPS
Compatible Integration	ONVIF (Profile S, Profile G, Profile T), API, SDK
Security	Basic and Digest Authentication for RTSP, WSSE and Digest Authentication for ONVIF, Digest Authentication for HTTP, TLS 1.2, TLS 1.3, Strong Password

Web Browser	Plug-in required live view: IE 10+, Chrome 45+, Firefox 52+, Edge 79+, Plug-in free live view: Chrome 57+, Firefox 58+, Edge 16+
3rd party NVR/Client	Blue Iris, Security Spy, Milestone, Geovision, Synology, QNAP
<b>Audio</b>	
Audio Compression	G.711U, G.711A, AAC
Audio Bitrate	128 Kbps
Two-way Audio	Support
Sampling Rate	8 kHz, 16 kHz
<b>Storage</b>	
Edge Storage	MicroSD, up to 512 GB
Network Storage	ANR, NAS (NFS)
<b>Interface</b>	
Audio I/O	1/1
Alarm I/O	Support
Serial Port	1 × RS485
Network	1 × RJ45 10 M/100 M Base-TX Ethernet
<b>General</b>	
Power	DC12V, PoE+(IEEE 802.3at), PoE++(IEEE 802.3bt)
Power Consumption	Max. 24W
Dimensions	307mm x 230mm x 216mm (12.09" × 9.06" × 8.5") (L × W × H)
Weight	5.5kg (12.13lb)
Working Environment	-20°C to 60°C (-4°F to 140°F), Humidity: ≤ 95% RH (non-condensing)
Surge Protection	4 KV
Ingress protection	IP66
Wiper	Manual
Case Type	PT(Aluminium)
Web Client Language	22 Languages: Traditional Chinese, English, Simplified Chinese, Polish, German, Russian, French, Korean, Dutch, Czech, Portuguese (Europe), Portuguese (Brazil), Japanese, Thai, Turkish, Spanish (Latin America), Spanish (Europe), Hungarian, Italian, Vietnamese, Arabic, Slovak
<b>Live View</b>	
Maximum Bitstream	35
Maximum Bandwidth	50 Mbps
3D Privacy Mask	Support

# Dimensions (mm)



Hangzhou Sunba Technologies Co., Ltd.

 <http://www.sunbatech.com>

 [support@sunbatech.com](mailto:support@sunbatech.com); [support@sunba.net](mailto:support@sunba.net)

©2025-2026 Hangzhou Sunba Technologies Co., Ltd. All rights reserved.

\*Product specifications and availability are subject to change without notice.

\*Despite our best efforts, technical or typographical errors may exist in this document.

Sunba cannot be held responsible for any such errors and reserves the right to change the contents of this document without prior notice.

